

# JS 2-100 G30

Qmax 34 m<sup>3</sup>/h - 566 l/min (150 USgpm) - Hmax 22 m (72 ft)

Code 10009786



## Product Data

Suction port  
**Threaded - 2" ISO 228 (BSP)**

Delivery port  
**Threaded - 2" ISO 228 (BSP)**

Qmax  
**34 m<sup>3</sup>/h - 566 l/min (150 USgpm)**

Hmax  
**22 m (72 ft)**

Solids handling  
**17 mm (0.67 ")**

Weight  
**14 kg (30 lb)**

Indicative picture of the product

## Self-priming centrifugal bare shaft pump

### Characteristics

The J series self-priming centrifugal pumps are used in applications where a rapid priming capacity is required from demanding suction heights combined with the ability to transfer and manage polluted fluids, dirty and abrasives with suspended large diameter solids. The system is based on an inspectable pump casing which also acts as a water tank allowing a first quick priming without auxiliary systems, simplifying management of the system and reducing the time for maintenance. Within the physically permitted suction height limits, J pumps are a more comfortable and reliable solution than submersible pumps and vertical submersed impeller pumps.

### Benefits

- 1) Rapid self-priming**  
Without foot valve up to a height of 7.5 m (24.5 ft)
- 2) High resistance**  
To abrasive liquids which are turbid and sandy
- 3) Semi-open impeller**  
High thickness casting impact resistant

### Applications

#### Industry:

clean, dirty, sandy, muddy, neutral, alkaline, acidic liquids; low viscous petroleum products, solvents even if dirty; milk of lime, caustic soda; washing, cooling, recirculation, smoke scrubbing.

#### Treatment:

pumping polluted corrosive wastewater containing sand, mud or solids in suspension; dosing neutralizing liquids; pumping out settled sludge.

#### Naval:

loading and unloading; bilge pumping; washing, fire-fighting, stripping, sanitary duty and circulation.

#### Agriculture:

surface irrigation; liquid manure oxygenation; transfer and spraying liquid manure or fertilizers; distribution of liquid animal feed; transfer of wine must; washing.

Varisco S.r.l. has certified its Quality, Environment and Safety Management System in accordance with the requirements of the international standard ISO 9001-14001-45001, recognized by the Lloyd Register.

Specification is subject to change without prior notice. Please check with your Varisco representative for the latest specifications.

Document release date: September 9<sup>th</sup> 2024

# JS 2-100 G30

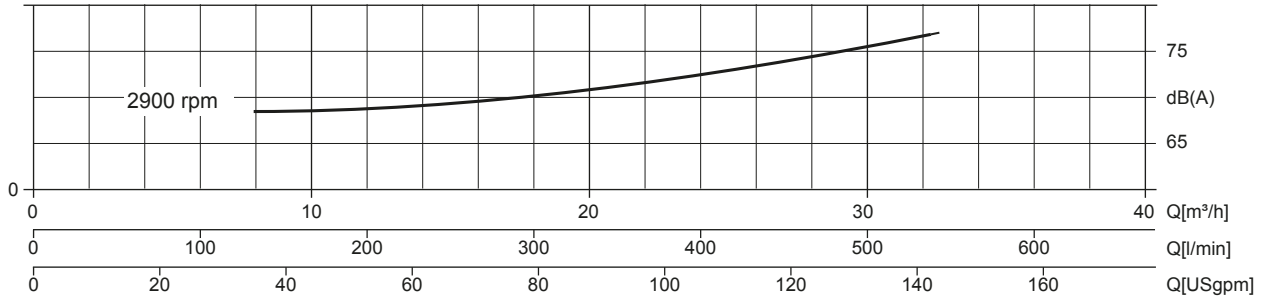


## PERFORMANCE CURVES

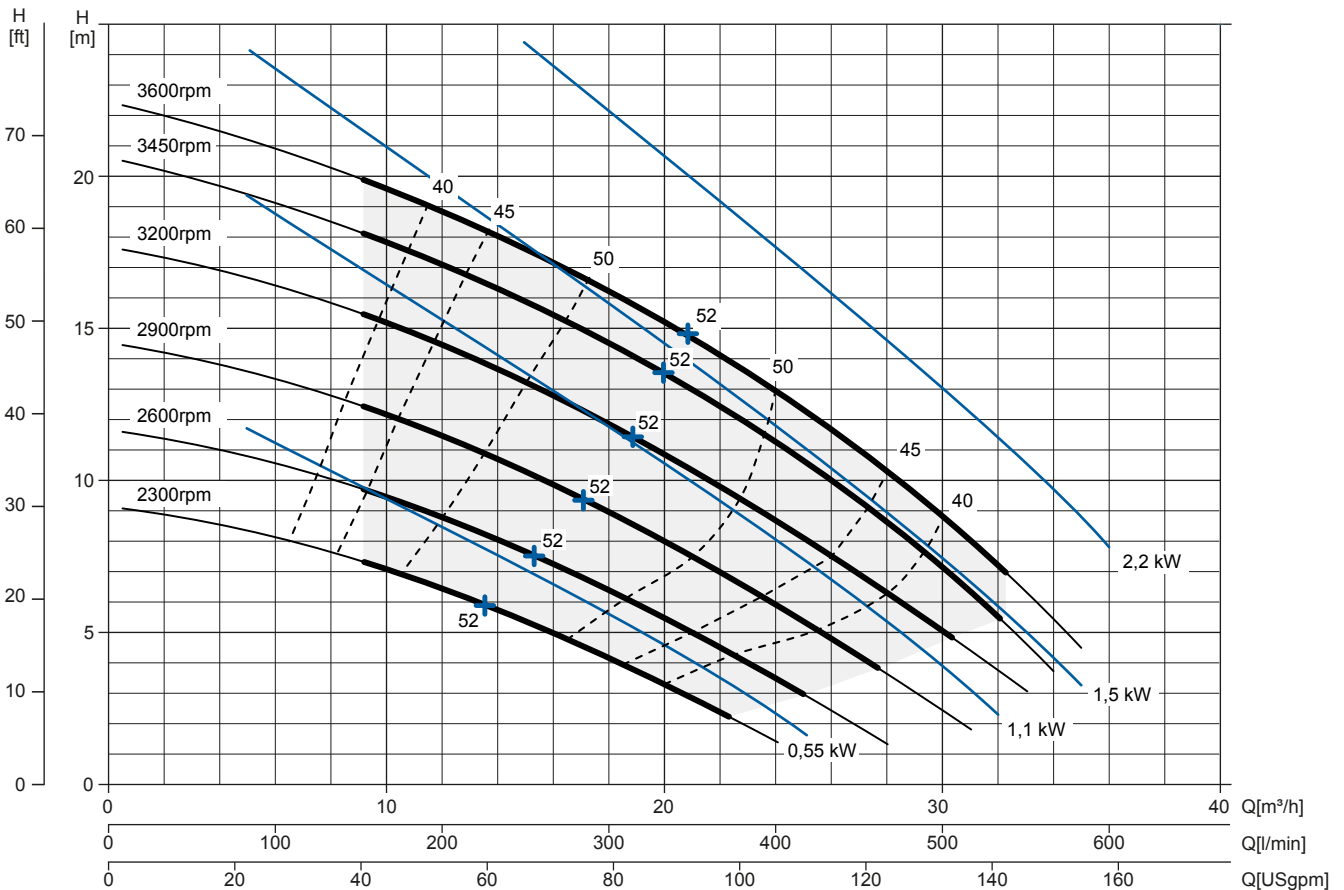
Test according to **UNI EN ISO 9906 standard - level 2B** Max. applicable motor power: **2,2 kW - 3 HP**  
 Test liquid: **clean water, density 1.000 kg/m<sup>3</sup>**  
 Spherical solids handling: **D.17 mm (0.67 ")**

### Noise Curve

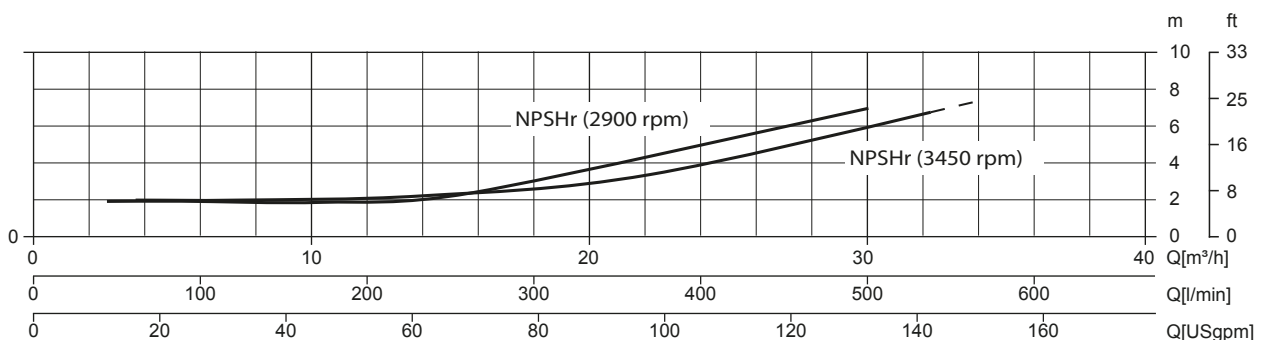
dB(A)=max noise level at 1 m



### Multiple Speed Curve



### NPSHr Curve



# JS 2-100 G30

## TECHNICAL DATA

### Pump

Pump model	JS 2-100 G30
Qmax [3.600 rpm]	34 m <sup>3</sup> /h - 566 l/min (150 USgpm)
Hmax [3.600 rpm]	22 m (72 ft)
Suction port	Threaded - 2" ISO 228 (BSP)
Delivery port	Threaded - 2" ISO 228 (BSP)
Impeller type	Semiaperta, 3 pale
Solids handling	17 mm (0.67 ")
Casing	EN 1561 EN-GJL-200 cast iron
Impeller	EN 1561 EN-GJL-200 cast iron
Wear plate	N/A
Non-return valve	check-valve, NBR
Shaft	C45E EN 10083-2 steel
Mechanical seal	Graphite / Ceramic
Elastomers	NBR
Lubrication	N/A
Bearing bracket	EN 1561 EN-GJL-200 cast iron, with grease lubricated ball bearings for life

### Arrangement

Model	Bare shaft
Dimensions (L x W x H)*	204 x 317 x 268 mm (8 x 12,5 x 10,5 ")
Coating	Polyurethane enamel, average thickness of 100 µm
Color	RAL 5010 blue (standard)
Height connection	0,15 m (0,5 ft )

\*without flanged ports

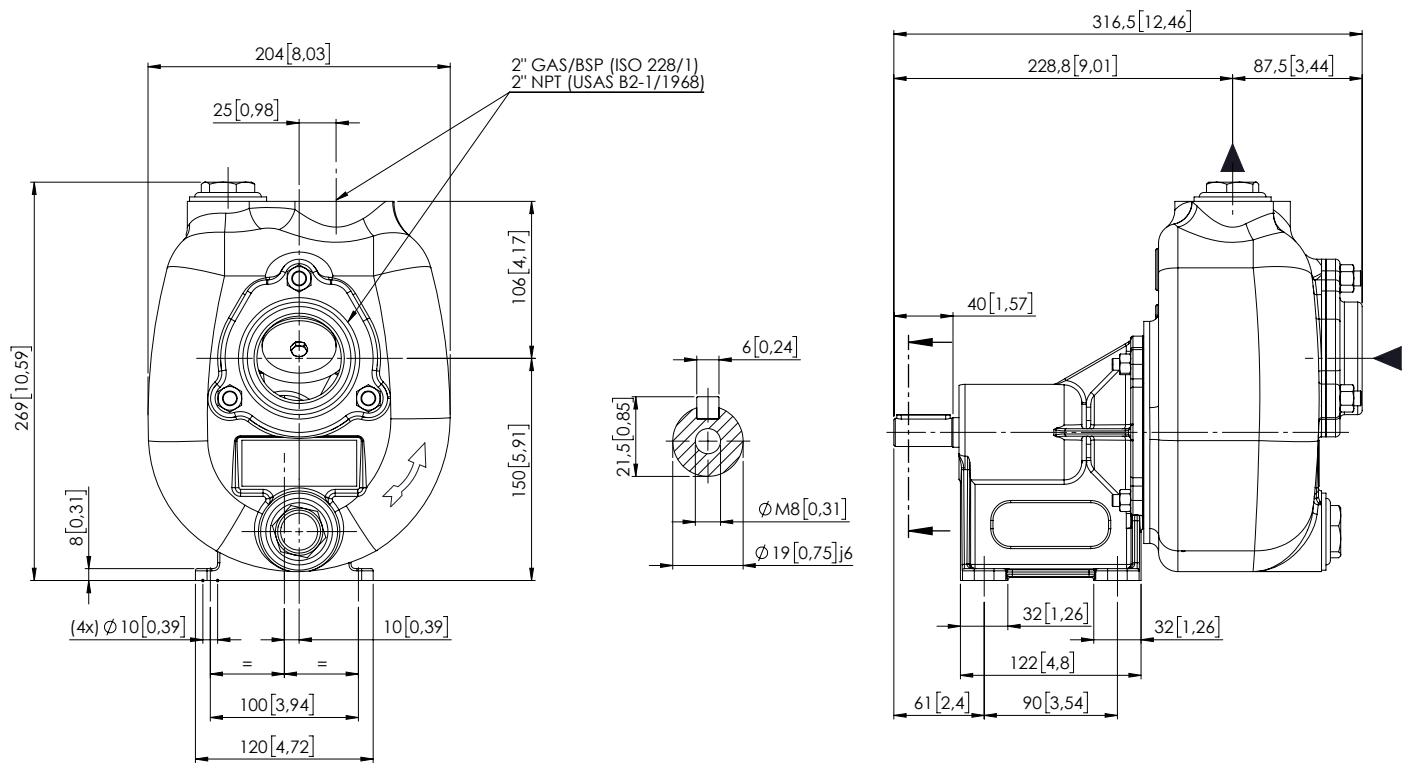
### Weight

Net weight	14 kg (30 lb)
Gross weight (pump + packing)	19 kg (41 lb)

# JS 2-100 G30

## DIMENSIONS

mm [in]



## PACKAGING DIMENSIONS

### Dimensions

JS 2-100 G30 (L x W x H)

600 x 400 x 700 mm

Gross weight (pump + packing)

19 kg (41 lb)

